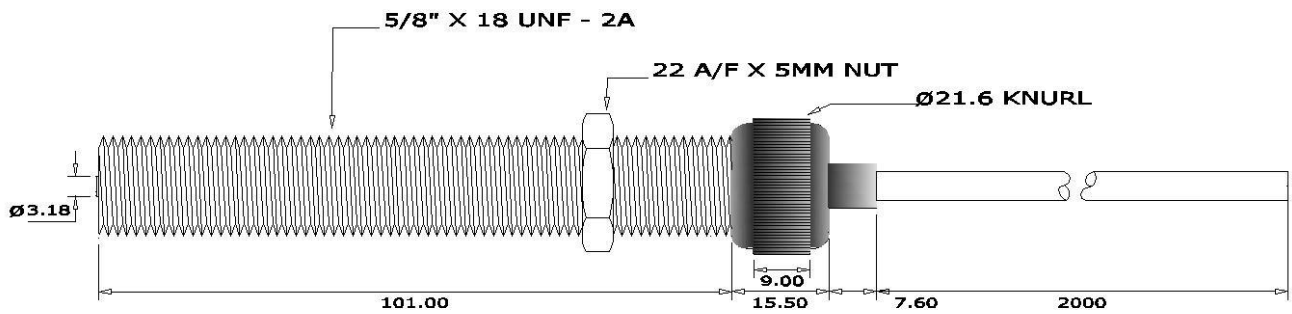




# Magnetic Pick-up

## *CA-captive cable series*



*Dimensions in mm unless otherwise stated*

ICS Ltd Part Number: **CAS-I58101-C-01-L200**

Description: **Captive Cable Magnetic Pick-up**

ISSUE  
1.10

### Body Specification

**Main Body Thread:** 5/8" X 18 UNF - 2A  
**Body Material:** Stainless Steel  
**Locknut:** 5/8 UNF, 22.3MM A/F x 5mm.  
**Locknut Material:** Brass Zinc Plated or Stainless Steel  
**Bobbin End Face Material:** Polypropylene  
**Captive Cable Cap:** Polypropylene

### Electrical Specification

**Coil Resistance:** 350 Ω ohms (+/-10%)  
**Coil Inductance:** 150mH (nom.)  
**Nominal Output:** 20v peak – peak (note 1)  
**Minimum Speed:** 30mm/sec (note 2)  
**Polarity:** Red Wire +Ve on approach of target

### Termination & Mating Parts

**Cable Type:** Grey PVC twisted pair (24 AWG Red & Black) Lap Screened cable.  
**Length:** 2m

### Operating Temperature

**Main Body and Internal Parts:** -10°C to +85°C

### Product Details

A stainless steel bodied sensor with moulded cable strain relief cap to aid installation. Terminated with a screened twisted pair cable to reduce hum and interference, free ends pre-stripped and tinned 10mm ready for termination. Customized and terminated versions and are available upon request.

*\*Note 1: Nominal output is a typical peak-peak voltage measured across a 10k ohm load using a 10DP, 60 tooth mild steel gear wheel with a diameter of 150mm rotating at 1000 rpm and with an air gap setting of 0.254mm (0.01")*

*\*Note 2: Minimum speed in mm/second to generate 100 mV Peak-Peak output under standard test conditions as in note 1.*



CERTIFICATE No : 1628/98

### INSTRUMENTATION AND CONTROL SERVICES (HEREFORD) LIMITED

UNIT 3, THE OLD FORGE INDUSTRIAL ESTATE, PETERCHURCH, HEREFORD, HR2 0SD

Telephone: 01981 550011 Fax: 01981 550955

Email: ics@ics-herford.co.uk

Websites: www.ics-herford.co.uk & www.cablewireassembly.co.uk